



**STONE**  
ENTERPRISES, INC.

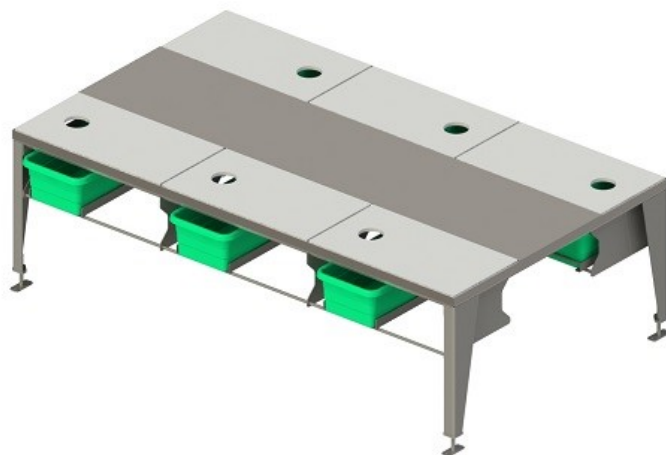
**877-653-0500**

**www.STONEENT.net**

## BONING TABLES

Features:

- Designed and fabricated to handle a wide range of product applications. From simple operations to large operations that need conveyors integrated into the center.
- Constructed with ergonomics, space efficiency and ease of cleaning in mind.
- Optional drop through cutting boards available.
- Length, width, height and shape all built to customers production needs.



Custom built to all your specifications.  
Produced and constructed from 300 series stainless steel with [AMI's Sanitation Equipment Design Principles](#) and ease of cleaning in mind.



## TURNTABLES

Features:

- 48" diameter is standard but designed to customers needs.
- Variable speed drive so you can adjust rotational speed.
- All stainless steel construction with full wash-down motor.
- Adjustable height leveling feet.

ALL PRODUCTS AND SERVICES CARRY A 100% SATISFACTION GUARANTEE FOR QUALITY, DURABILITY AND RELIABILITY.

**TO ORDER, CALL (877) 653-0500**

*PROUDLY MADE IN AMERICA AND SHIPPED FROM THE HEART OF THE MIDWEST*

10011 'J' Street Omaha, NE 68127 Phone: (402)502-8100 Fax: (402)502-8102

**www.STONEENT.net**