

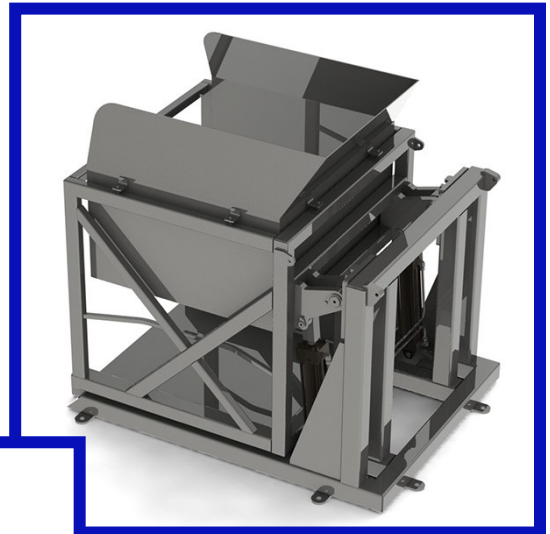


STONE
ENTERPRISES, INC.

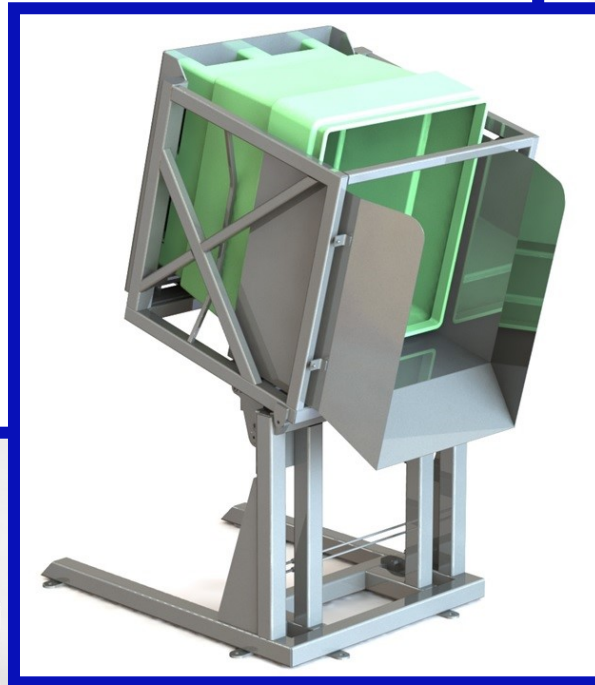
877-653-0500
www.STONEENT.net

COMBO/TOTE TILT DUMPER

Built for endurance and powered by hydraulics for a smooth and uniform operation, the Combo/Tote Tilt Dumper has been designed for emptying vats, totes, and combo boxes and has been produced and constructed from 300 series stainless steel with AMI's Sanitation Equipment Design Principles and ease of cleaning in mind.

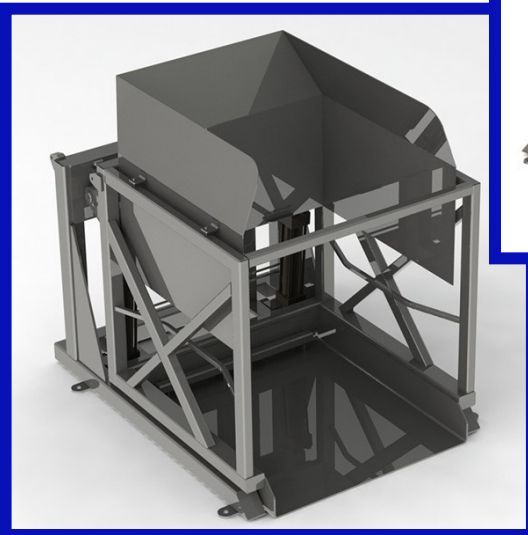


***Stainless Steel
Cylinders***



***1 Year Hydraulic
Cylinder Warranty and
3 Year Structural
Warranty.***

***Lift & tilt style for taller
dumping applications
available.***



Features include 3,000 lb. capacity with lift points structured for longevity, a standard dump height of 39" which can be changed for your specific needs, ridged hydraulic lines, and an optional hydraulic power pack in either steel or stainless steel.

ALL PRODUCTS AND SERVICES CARRY A 100% SATISFACTION GUARANTEE FOR QUALITY, DURABILITY AND RELIABILITY.

TO ORDER, CALL (877) 653-0500

PROUDLY MADE IN AMERICA AND SHIPPED FROM THE HEART OF THE MIDWEST

10011 'J' Street Omaha, NE 68127 Phone: (402)502-8100 Fax: (402)502-8102

www.STONEENT.net